



# CASITA MIA

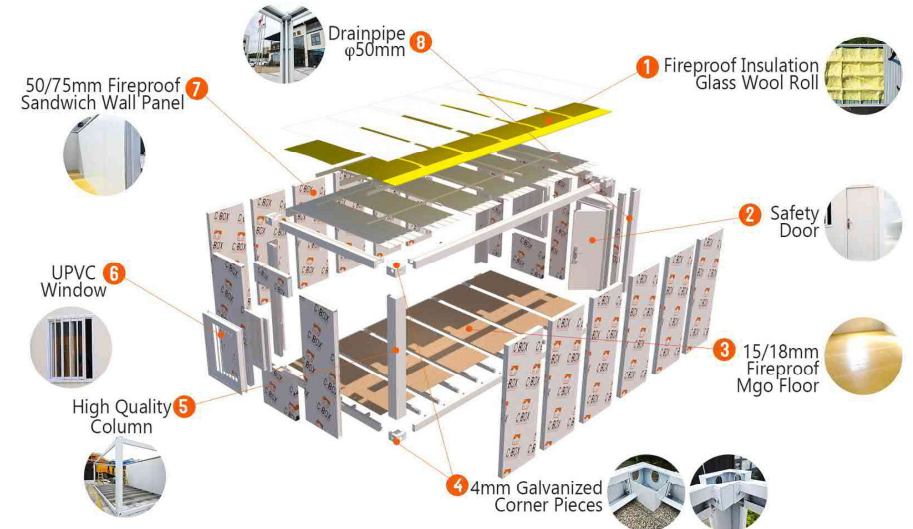
## DETACHABLE FLAT PACK

### Features

### Details



Use PVC drain pipes at four posts to drain water  
Drainage is more concentrated Better waterproof sealing, does not affect the appearance of the wall panel



### Exterior Size

6000L\*3000W\*2840H mm

### Interior Size

5790L\*2790W\*2500H mm

### Loading

20GP=7Units/40HQ=17Units

### Installation

4Workers+3Hours=1House

### Material

Wall: 50mm Rock Wool Sandwich Panel

Floor: 15mm MGO Board

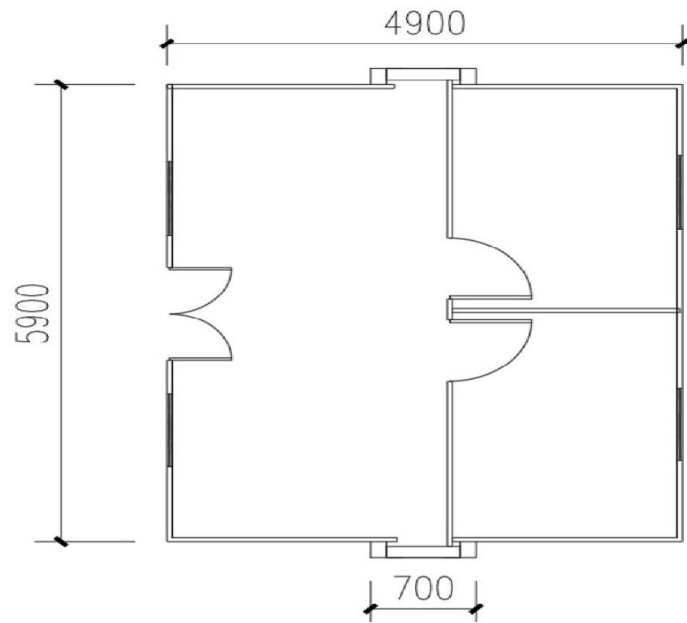
Roof: 50mm Glass Wool Insulation

Window: UPVC Window



# CASITA MIA

## Model Quicklock



Interior  
space display

